



# OPERATING INSTRUCTIONS FOR BUCKEYE'S SANI-Q SANITIZING GUN

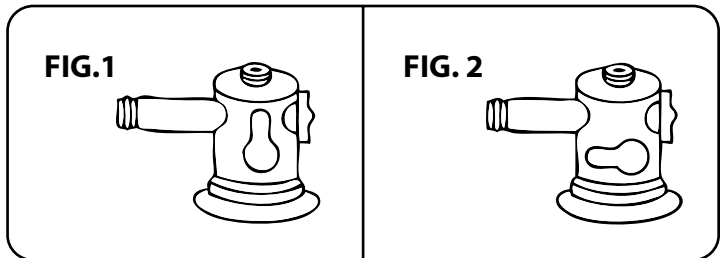
**APPLICATION:** Mixes cleaning chemicals with water as you spray to wash vehicles, equipment, buildings or any area. Use with cleaning and sanitizing chemicals in food preparation areas, wash rooms, meat cutting rooms, barns or any situation where use of water diluted chemicals is required. Unit also handles detergents, soaps and degreasers for vehicle washing, cleaning buildings, driveways, etc.

**SPECIFICATIONS:** Recommended water pressure - 40 to 50 psi, not to exceed 90 psi.

**INSTRUCTIONS ASSEMBLY:** Slide plastic siphon tube (Item 10) inside sleeve under bottle cap, attach bottle to gun. Connect deflector (Item 8) to front of mixing head (Item 9).

**INSTRUCTION OPERATION:** Connect water supply hose to pistol grip shut-off valve handle (Item 1). Remove and fill bottle with liquid chemical concentrate. **CAUTION:** To prevent chemical loss from bottle out of air vent hole in mixing head, sprayer assembly must remain in upright position at all times. Place metering stem lever (Item 5) in vertical position to siphon chemical (as shown in Fig. 1). This will automatically mix chemical with water at ¼ oz. per gallon. Pistol grip shut-off valve lever must be fully depressed for accurate mixing.

For rinsing with water only, move metering stem lever to horizontal position in order to shut off siphoning chemical from bottle (as shown in Fig 2).



This gun is provided with a deflector (Item 8), to provide a fan spray for covering wide areas. This deflector may be adjusted by bending it further into or out of the water stream for a wider or narrower fan spray or the deflector can be removed to provide a powerful needle stream.

**MAINTENANCE:** After each use the gun must be cleaned to ensure continued trouble-free operation.

Empty and rinse bottle, refill with water or the appropriate solvent, and spray for several minutes to rinse out orifices within mixing chamber.

In instances where a chemical is particularly caustic or viscous, it may be necessary to soak the mixing head in water or neutralizer. This should eliminate contamination of the mixing head and build up of dried chemicals.

**REPAIR & WARRANTY:** This gun is guaranteed against defects in materials and workmanship for a period of one (1) year from the date of purchase. The manufacturer is not responsible for guns that have been altered, incorrectly used, improperly maintained, not cleaned or abused.

**WARNING:** Always wear eye protection that complies with current ANSI Standard Z87.1. Wear protective clothing and use a respirator when recommended by chemical manufacturer. Spray in a well ventilated, open area.

Pistol Grip Handle is equipped with an anti-siphon device to prevent chemicals from being drawn back into hose. *Do not substitute pistol grip handle.*

Do not spray water or solution into an electrical outlet. Severe electric shock could result.

Clean sprayer and bottle thoroughly after each use to prevent contamination between different chemicals.

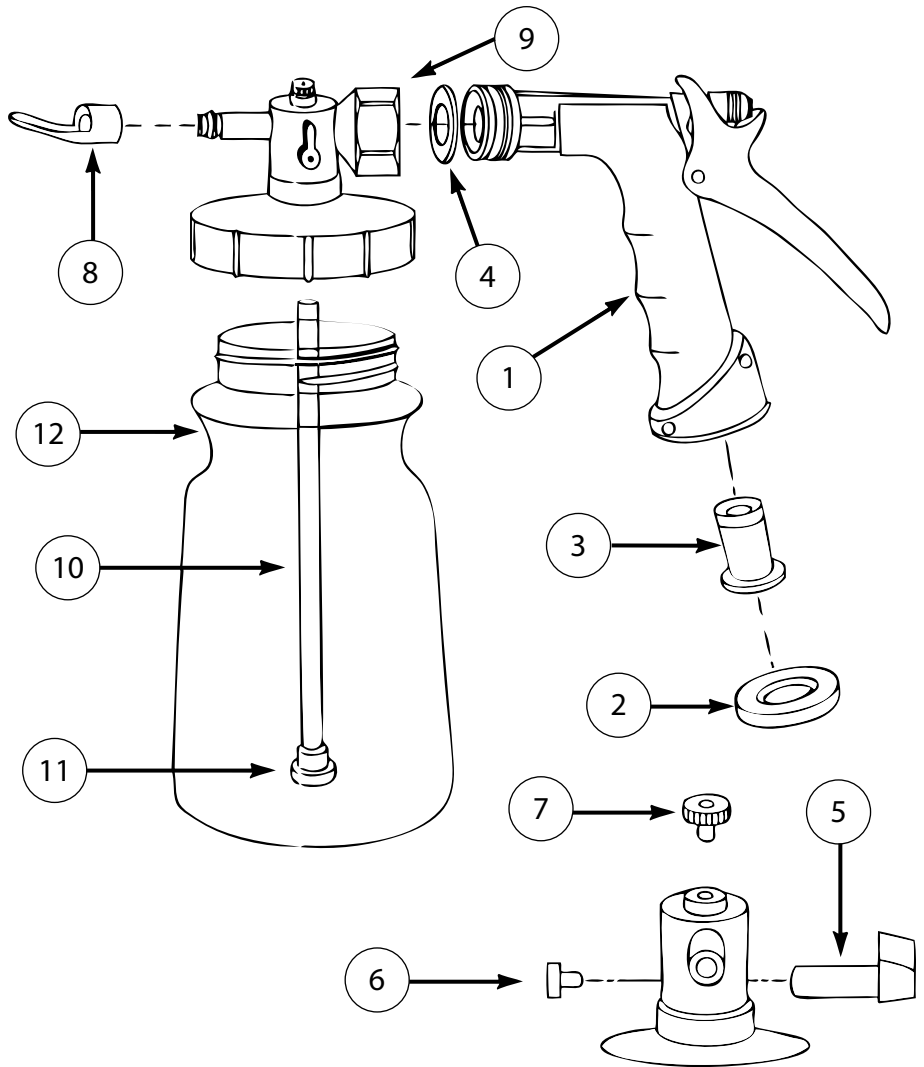
Bottle must remain upright to prevent chemical loss out of air vent hole in the mixing head.

Before using, read and understand chemical manufacturer's instructions and warnings.

**FAILURE TO HEED ALL SAFETY INSTRUCTIONS AND WARNINGS  
COULD RESULT IN PROPERTY DAMAGE, SERIOUS BODILY INJURY OR DEATH.**

## DESCRIPTION

- 1 - Pistol Grip Shut-Off
- 2 - Washer (Pistol Grip)
- 3 - Anti-Siphon Unit
- 4 - Washer (Head)
- 5 - Metering Stem
- 6 - Stem Locking Screw
- 7 - Metering Screw
- 8 - Deflector
- 9 - Mixing Head Complete
- 10 - Siphon Tube
- 11 - Screen & Holder
- 12 - Bottle



**CALIFORNIA PROPOSITION 65 WARNING**  
**WARNING:** This product contains chemicals known to the State of California to cause cancer and birth defects or other reproductive harm. (Installer: California law requires that this warning be given to the consumer.)

**Buckeye International, Inc.**

2700 Wagner Place • Maryland Heights • MO 63043 • USA • (314) 291-1900

1916 (1/13)